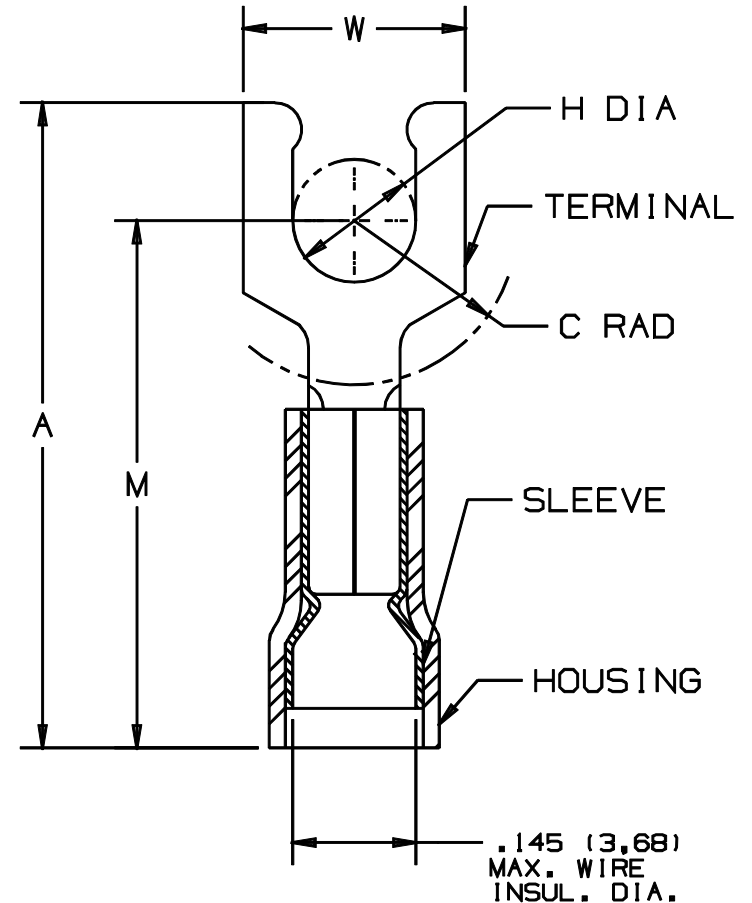


THIS COPY IS PROVIDED ON A RESTRICTED BASIS AND IS NOT TO BE USED IN ANY WAY DETRIMENTAL TO THE INTERESTS OF PANDUIT CORP.

PANDUIT PART NUMBER	STUD SIZE	DIMENSIONS in.				
		A ±.03	W ±.01	C ±.02	M ±.03	H ±.01
PNF18-6LFW	#6	.85 (21.6)	.29 (7.4)	.20 (5.1)	.63 (16.0)	.15 (3.8)
PNF18-6LF	#6	.82 (20.8)	.27 (6.9)	.20 (5.1)	.63 (16.0)	.15 (3.8)
PNF18-8LF	#8	.89 (22.6)	.29 (7.4)	.26 (6.6)	.68 (17.3)	.16 (4.1)
PNF18-10LF	#10	.89 (22.6)	.33 (8.4)	.25 (6.4)	.68 (17.3)	.19 (4.8)

NOTES:

1. UL LISTED AND CSA CERTIFIED FOR:
  - A. 600 V MAX VOLTAGE RATING (1000V. MAX. IN SIGNS, FIXTURES & LUMINARIES)
  - B. TEMPERATURE RATING OF INSULATION: 105°C (221°F)
  - C. #22-18 AWG SOLID OR STRANDED, COPPER WIRE
2. PACKAGE QUANTITY:
  - A. STD: C=100
  - B. BULK: M=1000
3. MATERIAL:
  - A. STAMPING: .032 (.81) THK COPPER, TIN PLATED
  - B. HOUSING: RED NYLON
  - C. SLEEVE: BRASS, TIN PLATED
4. WIRE STRIP LENGTH:  $7/32 \begin{matrix} +1/32 \\ -0 \end{matrix}$  (5.6  $\begin{matrix} +.8 \\ -0 \end{matrix}$ )
5. DIMENSIONS IN BRACKETS ARE IN MILLIMETERS
6. INSTALLATION TOOLS:
  - A. UL LISTED AND CSA CERTIFIED WITH: CT-100, CT-400 (U.L. ONLY), CT-1550 & CT-1551.
  - B. PANDUIT APPROVED: CT-160, CT-260



LISTED  
587H  
E52164



CERTIFIED  
LR31212

A41056\_05

05	1-01	EJS		UPDATED NOTE 1-B, REMOVED INSTALLATION TOOLS CT-500, CT-550 FROM NOTE 6, REMOVED NOTE ** APPROVED FOR EXPANDED WIRE RANGE #22-16 AWG.														<b>PANDUIT</b> CORP.	TINLEY PARK, ILLINOIS
				FILE SPEC WAS N41056AA_PCD_04, METRIC NUMBERS WERE 2 PLACES															
04	3-95	MS	RLS	UPDATED NOTES AND DIMENSIONS	03050		LA	KS											#22-18 LOCKING FORK NYLON INSUL FUNNEL WIRE ENTRY .145 (3.68) MAX WIRE INSUL DIA.
03	3-91	DL	JC	REDRAWN ON CAD	-----		LA	KS											
REV	DATE	BY	CHK	DESCRIPTION	ECN#	QA	CUST	PM	APP	DRAWN BY DRL	CHK'D LA	SCALE NONE	DRAWING NO. A41056						